

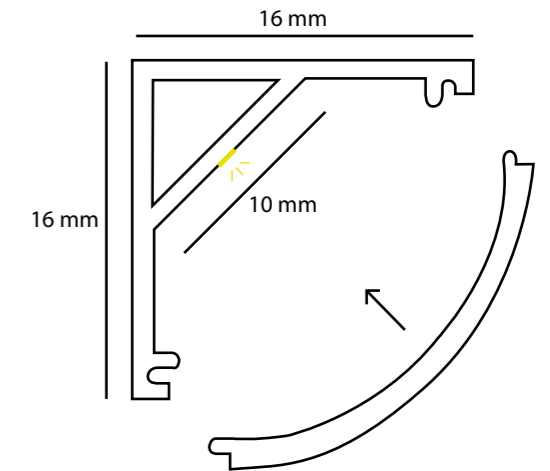
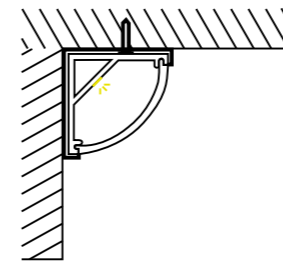
16X16 | profilo angolare



Our anodized aluminum corner profile is a versatile, high-quality solution designed for wall or ceiling installation. Its anodized aluminum construction offers a perfect combination of durability and corrosion resistance, ensuring a long life of use.

This corner profile is designed to house a light strip with a maximum internal width of 10 mm, allowing the creation of diffused or decorative lighting suited to the specific needs of the project.

Thanks to its construction, the anodized aluminum corner profile not only effectively protects the light strip, but also contributes to efficient heat dissipation, extending its life and ensuring reliable operation.



16X16 | profilo angolare

Caratteristiche Characteristics

tipo di installazione type of installation	Parete, soffitto Wall, ceiling
materiale material	Alluminio anodizzato Anodized aluminium
finitura/colore finish/colour	Argento Silver
materiale del diffusore diffuser material	Policarbonato opaco Opaque polycarbonate
dimensioni d'ingombro overall dimensions	2000 x 16 x 16 mm
Larghezza interna Internal width	10mm

Caratteristiche elettriche Electrical characteristics

potenza totale total power	Fino a 14 W/m Up to 14 W/m
-------------------------------	-------------------------------

Dati fotometrici Photometric data

