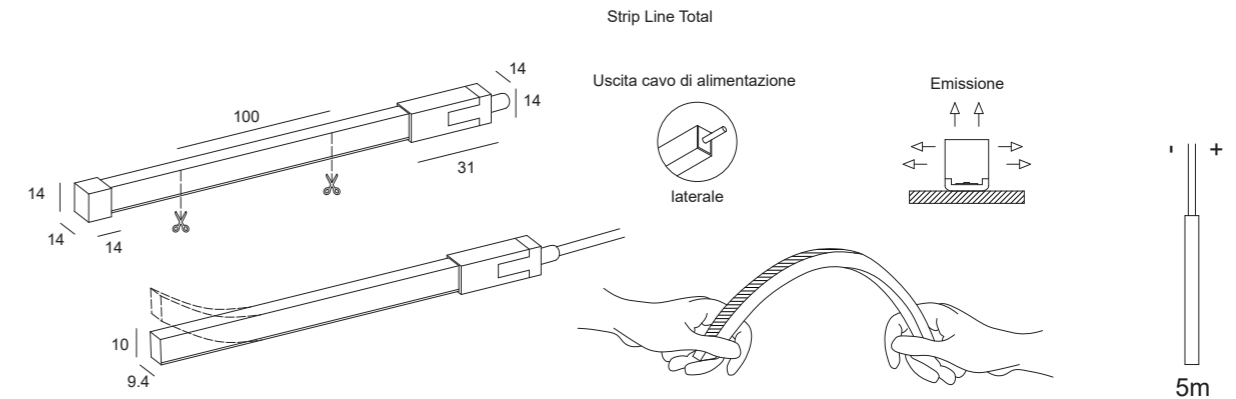




STRIP LINE

STRIP LINE TOTAL | emissione laterale

Direzione di curvatura del profilo: parallela alla superficie emittente



The products of the Strip LINE TOTAL series allow architects and craftsmen to give life to lighting projects in indoor and outdoor environments, guaranteeing an elegant and minimal effect and enhancing architectural elements with light in an original and creative way. The Strip LINE TOTAL model is presented as a vertically flexible product with a minimum bending diameter of 50mm, completely made of polyurethane resin. Extremely uniform brightness, without dots, with three-dimensional effect. Strip LINE does not yellow, is not subject to premature aging and overheating typical of classic LED strips. It can be installed on the ceiling using the clips supplied, recessed by gluing or using the aluminum profile supplied as an accessory.

Source

LED module with copper double-sided Kapton® PCB and gold-plated printed circuits, specially designed to ensure maximum uniformity and the total absence of point light.

Optics

Roto-symmetrical emission protected by a layer of opal resin designed to reduce glare. The device is suitable for installation in UGR <19 (EN12464-1) work environments.

Power supply

Electronic ballast not supplied. 24Vdc power supply.

Note

The product can be cut at intervals of 100mm (see drawings alongside), the maximum length that can be fed is 5000mm. The accessories and connectors are IP20 and make the strip IP20 in the case of cuts and joints.

Accessories

Electronic power supply, available in the standard (on-off), dimmable version.

Steel clip for ceiling mounting.

Profile made of extruded aluminum complete with opal diffuser and closing caps for recessed installation in masonry or plasterboard panels.

Wired and non-wired closing caps, useful for feeding and closing fractional parts of the product.

STRIP LINE TOTAL | emissione laterale

Led/mt	W / Mt	Lm / mt	Classe Energetica Energy rating*	Temperatura Colore	Lunghezza MAX	Tensione Vcc	Grado IP
240	14,4W	1200 lm	G A T E	4000 K 3000 K	5 m	24 V	65

P. Stand-by: 0 | P. Stand-by in rete: 0 | Int. Elettrica: 24 Vdc

*Questo prodotto contiene una sorgente luminosa di Classe di efficienza Energetica **G**

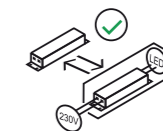
Connectors



Connectors IP

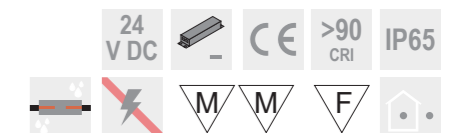


Sorgente LED non sostituibile
Non-replaceable LED source



Alimentatore sostituibile
Power supply replaceable

Richiedere il manuale di sostituzione ai nostri uffici tecnici



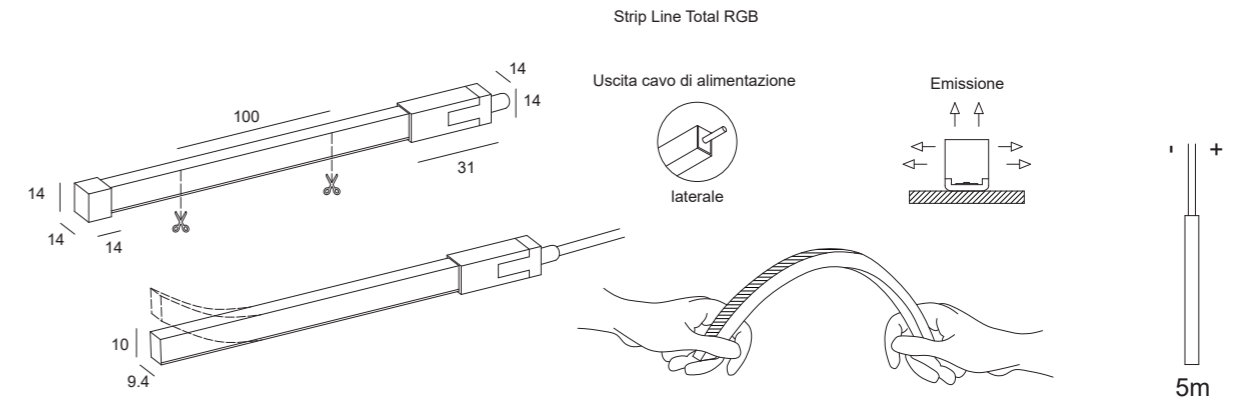
On demand:

DIM



STRIP LINE TOTAL RGB | emissione laterale

Direzione di curvatura del profilo: parallela alla superficie emittente



The products of the Strip LINE series allow architects and craftsmen to give life to lighting projects in internal and external environments, guaranteeing an elegant and minimal effect and exalting architectural elements with light in an original and creative way. The Strip LINE TOTAL RGB model is presented as a vertically flexible product with a minimum bending diameter of 50mm, completely made of polyurethane resin. Extremely uniform luminosity, without speckles, with a three-dimensional effect. Strip LINE does not turn yellow, is not subject to premature aging and overheating typical of classic LED strips. It can be installed on the ceiling using the clips supplied, recessed by gluing or using the aluminum profile supplied as an accessory.

Source

LED module with double-sided copper Kapton® PCB and gold-plated printed circuits, specially designed to guarantee maximum uniformity and the total absence of point light.

Optics

Rotosymmetric emission (see table alongside) protected by a layer of opal resin designed to reduce glare. The luminaire is suitable for installation in workplaces UGR<19 (EN12464-1).

Power supply

Electronic ballast not supplied. 24Vdc power supply.

Note

The product can be cut at intervals of 100mm (see drawings alongside), the maximum feed length is 5000mm.

Accessories

Electronic ballast, available in the standard version (on-off), dimmable version.

Steel clip for ceiling fixing.

Control unit for RGB led light sources.

Remote control for color control of RGB LED strips.

Profile made of extruded aluminum complete with opal diffuser and closing caps for recessed installation in masonry or plasterboard panels.

Wired and non-wired closure caps, useful for feeding and closing fractional parts of the product.

STRIP LINE TOTAL RGB | emissione laterale

Led/mt	W / Mt	Lm / mt	Classe Energetica Energy rating*	Temperatura Colore	Lunghezza MAX	Tensione Vcc	Grado IP
240	14,4W	1200 lm		RGB	5 m	24 V	65

P. Stand-by: 0 | P. Stand-by in rete: 0 | Int. Elettrica: 24 Vdc

*Questo prodotto contiene una sorgente luminosa di Classe di efficienza Energetica G

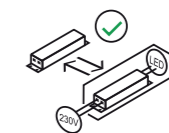
Connectors



Connectors IP

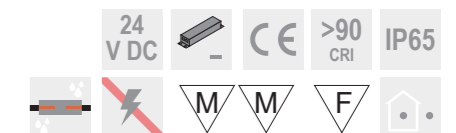


Sorgente LED non sostituibile
Non-replaceable LED source



Alimentatore sostituibile
Power supply replaceable

Richiedere il manuale di sostituzione ai nostri uffici tecnici



On demand:

DIM



STRIP LINE MONO | emissione frontale

Direzione di curvatura del profilo: ortogonale alla superficie emittente



The products of the Strip LINE MONO series allow architects and craftsmen to give life to lighting projects in indoor and outdoor environments, guaranteeing an elegant and minimal effect and enhancing architectural elements or furnishings in an original and creative way with light. The Strip LINE MONO model is presented as a horizontally flexible product with a minimum bending diameter of 50mm, completely made of polyurethane resin. Extremely uniform brightness, without pitting, from the top. Strip LINE does not yellow, is not subject to premature aging and overheating typical of classic LED strips. It can be installed on the ceiling using the clips supplied or recessed in furnishings or boiserie, by gluing.

Source

LED module with copper double-sided Kapton® PCB and gold-plated printed circuits, specially designed to ensure maximum uniformity and the total absence of point light.

Optics

Roto-symmetrical emission protected by a layer of opal resin designed to reduce glare. The device is suitable for installation in UGR <19 (EN12464-1) work environments.

Power supply

Electronic ballast not supplied. 24Vdc power supply.

Note

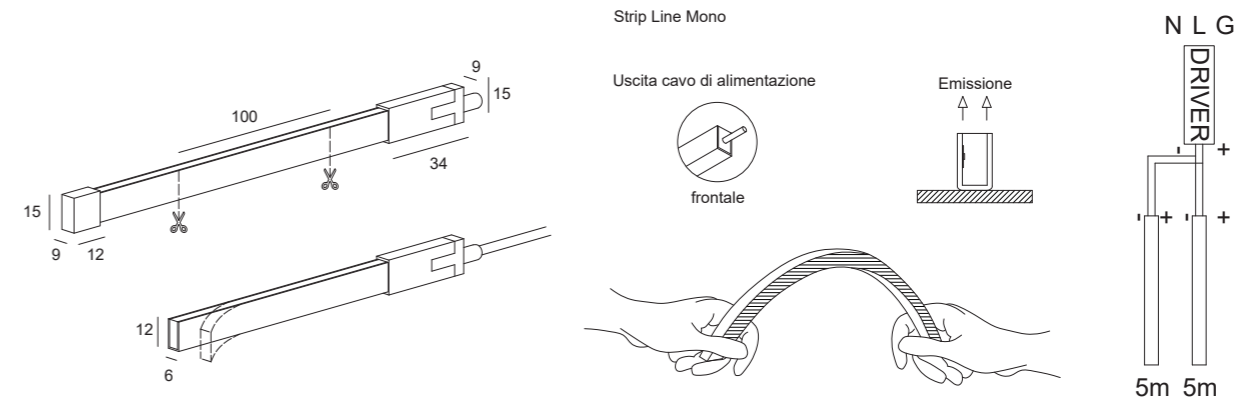
The product can be cut at intervals of 100mm (see drawings alongside), the maximum length that can be fed is 5000mm. The accessories and connectors are IP20 and make the strip IP20 in the case of cuts and joints.

Accessories

Electronic power supply, available in the standard (on-off), dimmable version.

Steel clip for ceiling mounting.

Wired and non-wired closing caps, useful for feeding and closing fractional parts of the product.



STRIP LINE MONO | emissione frontale

Led/mt	W / Mt	Lm / mt	Classe Energetica Energy rating*	Temperatura Colore	Lunghezza MAX	Tensione Vcc	Grado IP
240	10W	400 lm	G A T E	4000 K 3000 K	5 m	24 V	65

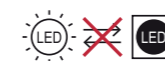
P. Stand-by: 0 | P. Stand-by in rete: 0 | Int. Elettrica: 24 Vdc

*Questo prodotto contiene una sorgente luminosa di Classe di efficienza Energetica **G**

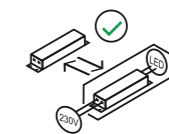
Connectors



Connectors IP

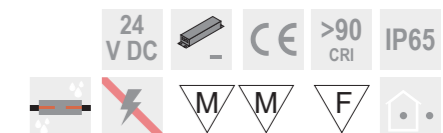


Sorgente LED non sostituibile
Non-replaceable LED source



Alimentatore sostituibile
Power supply replaceable

Richiedere il manuale di sostituzione ai nostri uffici tecnici



On demand:

DIM

STRIP LINE 230V | emissione frontale

Direzione di curvatura del profilo: parallela alla superficie emittente



The products of the Strip LINE 230V series allow architects and craftsmen to create lighting projects in internal and external environments, guaranteeing an elegant and minimal effect and enhancing architectural elements with light in an original and creative way without the problem of using power supplies. The Strip LINE 230V model is presented as a vertically flexible product with a minimum bending diameter of 50mm, completely made of silicone resin. Strip LINE does not yellow, is not subject to premature aging and overheating typical of classic LED strips. It can be ceiling-mounted using the clips supplied, recessed by gluing or using the aluminum profile supplied as an accessory.

Source

LED module with copper double-sided Kapton® PCB and gold-plated printed circuit boards.

Optics

Rotationally symmetrical emission protected by a layer of transparent resin.

Power supply

No electronic ballast, available in the standard version (on-off). Power supply 230Vac 50Hz.

Note

The product can be cut at intervals of 167mm, for the 14w/m version, and 100mm for the 17w/m version (see drawings alongside), available in different lengths up to 50m. Protect the power input with a fuse. The accessories and connectors are IP20 and make the strip IP20 in the case of cuts and joints.

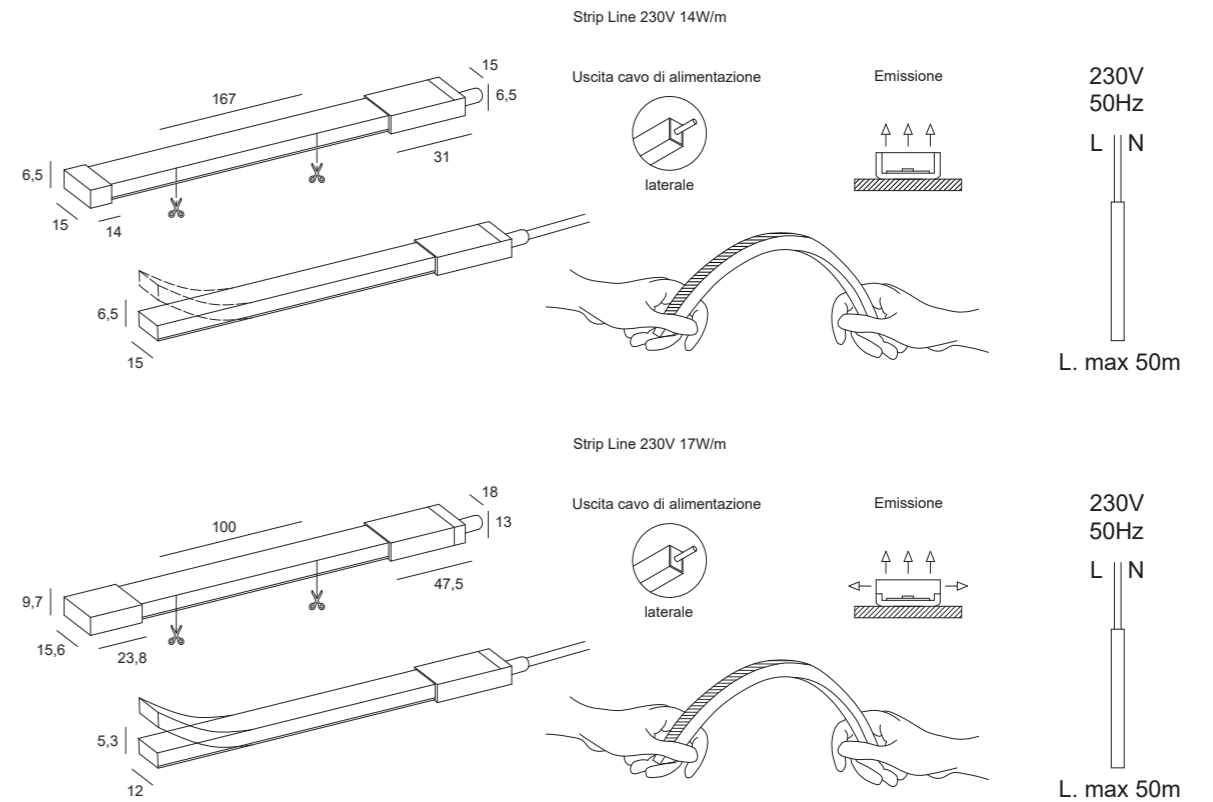
Accessories

Clip for ceiling fixing, for the 14w/m version.

3M double-sided adhesive for fixing to profiles, for the 17w/m version.

Profile made of extruded aluminum complete with opal diffuser and closing caps for ceiling or suspension installation (using a specific kit).

Wired and non-wired closing caps, useful for feeding and closing divided parts of the product.



STRIP LINE 230V | emissione frontale

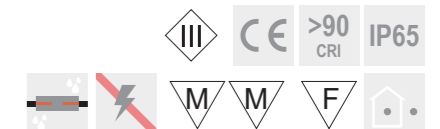
Led/mt	W / Mt	Lm / mt	Classe Energetica Energy rating*	Temperatura Colore	Lunghezza MAX	Alimentazione Vca	Grado IP
72	14W	1150 lm	F A++ G	3000 K 4000 K	50 m	220 - 230	65
120	17W	1580 lm	F A++ G				

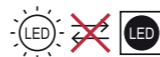
P. Stand-by: 0 | P. Stand-by in rete: 0 | Int. Elettrica: 230 Vac 50Hz
*Questo prodotto contiene una sorgente luminosa di Classe di efficienza Energetica F

Connectors



Connectors IP



 Sorgente LED non sostituibile
Non-replaceable LED source

Richiedere il manuale di sostituzione ai nostri uffici tecnici



For updated technical data or further technical information, consult the website (www.xlitesrl.it)
For correct assembly of the appliance, consult the user manual



STRIP IP20 | emissione frontale



High quality IP20 LED strip, allows you to create lighting projects in interior environments, guaranteeing an elegant and minimal effect and exalting architectural elements with light in an original and creative way. The Strip LED IP20 model is presented as a horizontally flexible product with a minimum bending diameter of 50mm. Extremely uniform brightness (using recommended profiles). Strip LED IP20 is equipped with excellent quality LEDs, it is not subject to premature aging and overheating typical of classic LED strips. It can be installed on the ceiling by means of double-sided adhesive fixing or by inserting it into the recommended aluminum profiles.

Source

LED module with double-sided copper Kapton® PCB and gold-plated circuit boards, specially designed to ensure maximum efficiency.

Optics

Rotosymmetric emission (see table alongside).

Power supply

Electronic ballast not supplied. 24Vdc power supply.

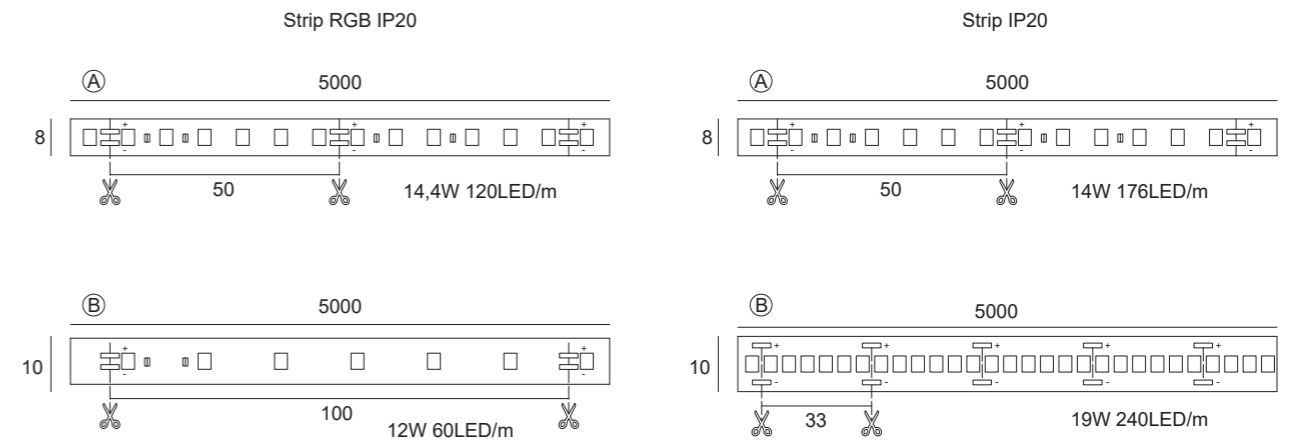
Note

The product can be cut at intervals of 33mm (v.19W) or 50mm (v.14W) (see drawings alongside), the maximum feedable length is 5000mm.

Accessories

Electronic ballast, available in the standard version (on-off), dimmable.

Profiles of various types depending on the use (angular, recessed surface) made of extruded aluminum complete with opal diffuser and closing caps.



STRIP IP20 | emissione frontale

Led/mt	W / Mt	Lm / mt	Classe Energetica Energy rating*	Temperatura Colore	Lunghezza MAX	Tensione Vcc	Grado IP
176	14W	1820 lm	E A+G	3000 K 4000 K	5 m	24V	20
240	19W	2100 lm	F A+G				

P. Stand-by: 0 | P. Stand-by in rete: 0 | Int. Elettrica: 24 Vdc

*Questo prodotto contiene una sorgente luminosa di Classe di efficienza Energetica E, F

STRIP IP20 RGB | emissione frontale

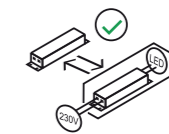
Led/mt	W / Mt	Lm / mt	Classe Energetica Energy rating*	Temperatura Colore	Lunghezza MAX	Tensione Vcc	Grado IP
60	12W	540 lm	G A+G	RGB	5 m	24V	20
120	14W	740 lm	G A+G				

P. Stand-by: 0 | P. Stand-by in rete: 0 | Int. Elettrica: 24 Vdc

*Questo prodotto contiene una sorgente luminosa di Classe di efficienza Energetica G

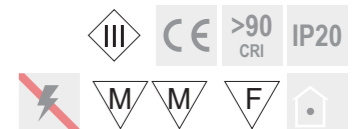


Sorgente LED non sostituibile
Non-replaceable LED source



Alimentatore sostituibile
Power supply replaceable

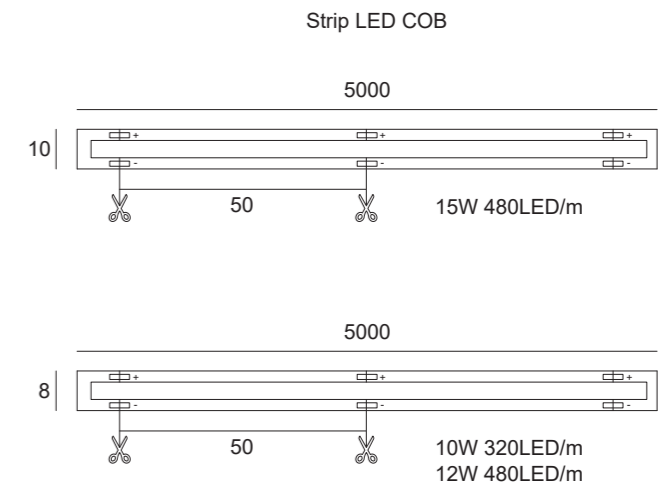
Richiedere il manuale di sostituzione ai nostri uffici tecnici



On demand:

DIM

STRIP LED COB | emissione frontale



High quality COB LED strip, allows you to create lighting projects in interior environments ensuring an elegant and minimal effect and exalting architectural elements with light in an original and creative way. The Strip LED COB model is presented as a horizontally flexible product with a minimum curvature diameter of 50mm. Extremely uniform brightness thanks to a density of 320LED/mt or 480LED/mt (using the recommended profiles). Strip LED COB is equipped with excellent quality LEDs, it is not subject to premature aging and overheating typical of classic LED strips. It can be installed on the ceiling by means of double-sided adhesive fixing or by inserting it into the recommended aluminum profiles.

Source

LED module with double-sided copper Kapton® PCB and gold-plated printed circuits, specially designed to guarantee maximum efficiency thanks to its peculiar uniformity.

Optics

Rotosymmetric emission (see table alongside).

Power supply

Electronic ballast not supplied. 24Vdc power supply.

Note

The product can be cut at 50mm intervals (see 10W, 12W and 15W), the maximum feed length is 5000mm.

Accessories

Electronic ballast, available in the standard version (on-off), dimmable.

Profiles of various types depending on the use (angular, recessed surface) made of extruded aluminum complete with opal diffuser and closing caps.

STRIP LED COB | emissione frontale

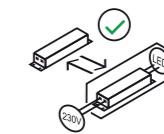
Led/mt	W / Mt	Lm / mt	Classe Energetica Energy rating*	Temperatura Colore	Lunghezza MAX	Tensione Vcc	Grado IP
320	10W	1080 lm	F A+G	3000 K 4000 K	5 m	24V	20
480	12W	1250 lm	F A+G				
480	15W	1400 lm	F A+G				

P. Stand-by: 0 | P. Stand-by in rete: 0 | Int. Elettrica: 24 Vdc

*Questo prodotto contiene una sorgente luminosa di Classe di efficienza Energetica F

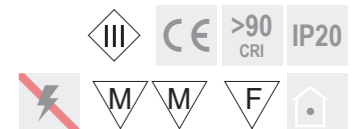


Sorgente LED non sostituibile
Non-replaceable LED source



Alimentatore sostituibile
Power supply replaceable

Richiedere il manuale di sostituzione ai nostri uffici tecnici



On demand:

DIM

STRIP IP65 | emissione frontale



High quality IP65 LED strip, allows you to create lighting projects in indoor and outdoor environments, guaranteeing an elegant and minimal effect and exalting architectural elements with light in an original and creative way. The IP65 Strip LED model is presented as a horizontally flexible product with a minimum bending diameter of 50mm. Extremely uniform brightness (using recommended profiles). Strip LED IP65 is equipped with excellent quality LEDs, it is not subject to premature aging and overheating typical of classic LED strips. It can be installed on the ceiling by means of double-sided adhesive fixing or by inserting it into the recommended aluminum profiles.

Source

LED module with double-sided copper Kapton® PCB and gold-plated circuit boards, specially designed to ensure maximum efficiency.

Optics

Rotosymmetric emission (see table alongside) protected by a layer of transparent anti-yellowing resin.

Power supply

Electronic ballast not supplied. 24Vdc power supply.

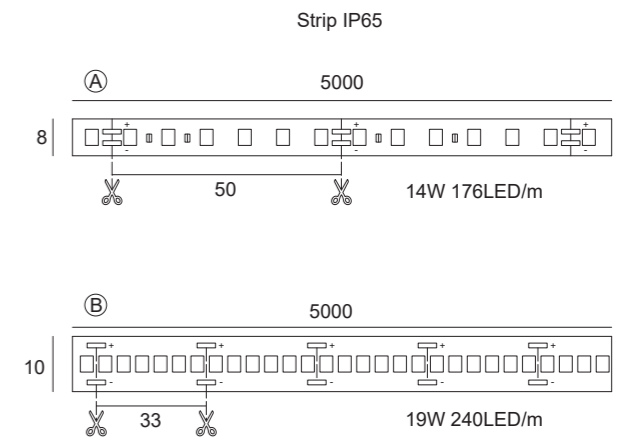
Note

The product can be cut at intervals of 33mm (v.19W) or 50mm (v.14W) (see drawings alongside), the maximum feedable length is 5000mm.

Accessories

Electronic ballast, available in the standard version (on-off), dimmable.

Profiles of various types depending on the use (angular, recessed surface) made of extruded aluminum complete with opal diffuser and closing caps.



STRIP IP65 | emissione frontale

Led/mt	W / Mt	Lm / mt	Classe Energetica Energy rating*	Temperatura Colore	Lunghezza MAX	Tensione Vcc	Grado IP
176	14W	1820 lm	E A+G	3000 K 4000 K	5 m	24V	20
240	19W	2100 lm	F A+G				

P. Stand-by: 0 | P. Stand-by in rete: 0 | Int. Elettrica: 24 Vdc

*Questo prodotto contiene una sorgente luminosa di Classe di efficienza Energetica E, F

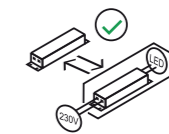
Connectors



Connectors IP

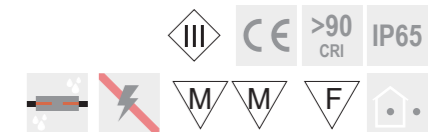


Sorgente LED non sostituibile
Non-replaceable LED source



Alimentatore sostituibile
Power supply replaceable

Richiedere il manuale di sostituzione ai nostri uffici tecnici



On demand:

DIM