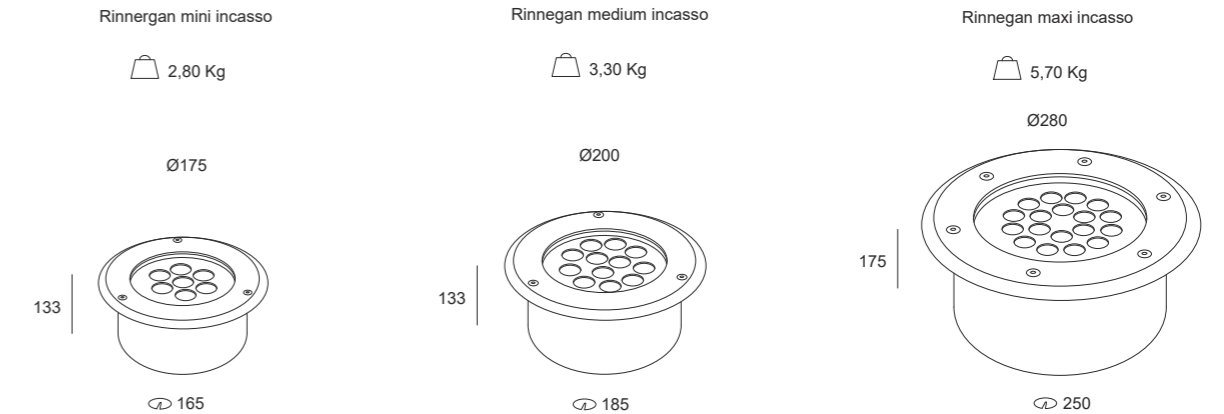




RINNEGAN

RINNEGAN | incasso calpestabile



LED luminaire for recessed lighting, which can be installed on the floor or ground using the formwork (supplied), suitable for illuminating elevations and facades, creating lighting effects of great value, useful for enhancing architecture and green areas. AISI 304 steel frame with brushed finish, fixed to the lamp body by means of stainless steel clamping screws. Body in extruded aluminum subjected to black paint. The device is fixed to the formwork, made of thermoformed plastic, by means of a rotating coupling. Optical compartment closed at the top by a tempered extra-clear glass screen (15mm thick) fixed by means of annealed silicone sealing gaskets; it is coplanar with the body of the appliance to allow water and dirt to flow out, avoiding the formation of deposits that would significantly reduce the performance of the appliance. Stainless steel screws with high molybdenum content. Annealed silicone sealing gaskets.

Source

LED Chip On Board (COB) technology.

Optics

Roto-symmetrical optics available in various openings (see table opposite) treated by high vacuum metallization and protected by a tempered extra-clear safety glass screen.

Power supply

Electronic power supply integrated in the body of the fixture, available in the standard version (on-off). Power supply 220-240Vac 50 / 60Hz ..

Note

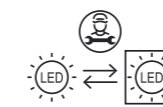
The product is supplied with a single cable gland and outgoing power supply cable L = 800mm in 2x0.75mm² neoprene. IP67 protection both on the product and on the cable using IP67 connectors. The product is not suitable for installation in swimming pools and fountains. Formwork for installation supplied. We recommend the use of the SPD protection device, supplied by us upon request.

RINNEGAN | incasso calpestabile

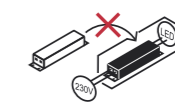
Sorgente Light source	Watt LED*	Lumen OUT**	ØDiametro mm ØDiameter mm	Classe Energetica Energy rating***	K	Alimentazione Power supply	Emissione Emission	Colore Colour
LED	9W	1152	165		3.000° K 4.000° K	ON-OFF	Spot (15°) Medium (30°) Flood (45°)	
LED	13W	1672	185					
LED	22W	2825	250					

P. Stand-by: 0 | P. Stand-by in rete: 0 | Int. Elettrica: 230 Vac 50Hz

*LED power **Total flow exiting the appliance @ Tamb 25° - 4000°K ***This product contains an Energy Efficiency Class light source D Consider a reduction in output flow dell'8% by source LED 3000°K



Sorgente LED sostituibile solo da tecnico abilitato
LED source replaceable only by a qualified technician



Alimentatore non sostituibile
Non-replaceable power supply

Richiedere il manuale di sostituzione ai nostri uffici tecnici

Connectors



Socket-plug



3-way "T" type



On demand:

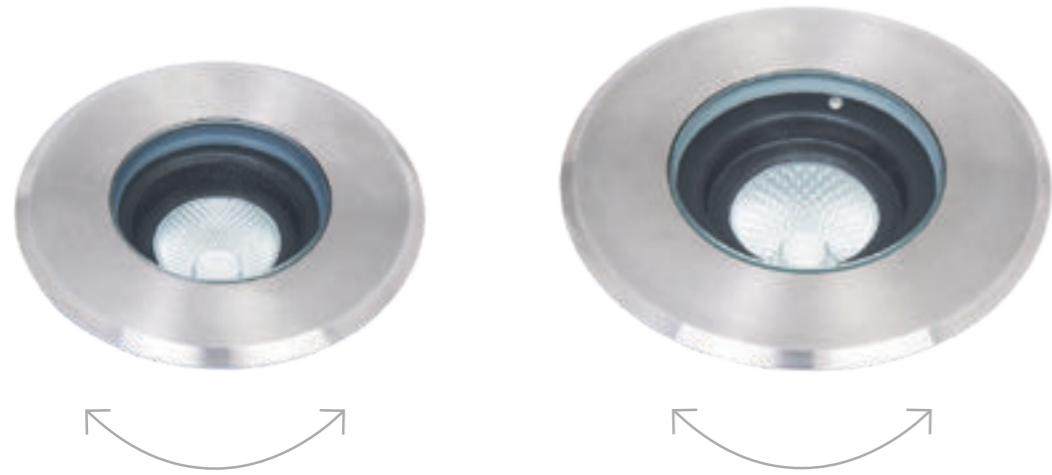
SPD



For updated technical data or further technical information, consult the website (www.xlitesrl.it)



RINNEGAN DIREZIONALE | incasso direzionale



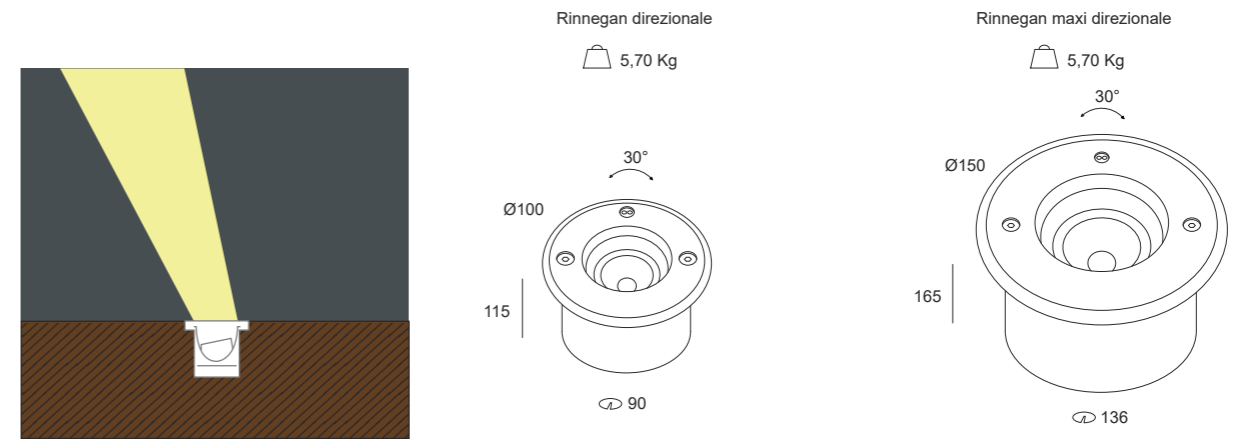
Directional LED recessed lighting fixture, which can be installed on the floor or on the ground using the formwork (supplied), suitable for illuminating elevations and facades creating light effects of great value, useful for enhancing architecture and green areas. AISI 304 steel frame with brushed finish, fixed to the lamp body by means of stainless steel tightening screws. Black painted extruded aluminum body. The luminaire is fixed to the formwork, made of thermoformed plastic, by means of a rotation coupling. Optical compartment closed at the top by a screen in tempered extra-clear glass (thickness 15mm) and fixed by sealing gaskets in annealed silicone and coplanar to the body of the fixture to allow water and dirt to flow out, avoiding the formation of deposits which would considerably reduce appliance performance. Screws in stainless steel with a high molybdenum content. Sealing gaskets in annealed silicone. Direction system by means of a special adjustment key, the orientation of the light beam is possible when the product is installed and switched on. Rotationally or axially symmetrical light distribution with very narrow to wide beam for accent lighting.

Source
LED Chip On Board (COB) technology.

Optics
Directional rotosymmetrical optics available in various apertures (see table alongside) treated with high vacuum metallization and protected by a screen in tempered extra-clear safety glass.

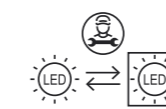
Power supply
Electronic ballast integrated in the body of the fixture, available in the standard version (on-off). Power supply 220-240Vac 50/60Hz.

Note
The product is supplied with a single cable gland and an outgoing power supply cable L=800mm in 2x0.75mm² neoprene. IP67 protection both on the product and on the cable using IP67 connectors. The product is not suitable for installations in swimming pools and fountains. Formwork for installation supplied. We recommend the use of the SPD protection device, supplied by us upon request.

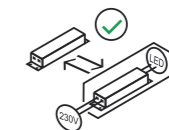


RINNEGAN DIREZIONALE incasso direzionale							
Sorgente Light source	Watt LED*	Lumen OUT**	Classe Energetica Energy rating***	K	Alimentazione Power supply	Emissione Emission	Colore Colour
LED	3W	405	E A T G	3.000° K 4.000° K	ON-OFF	Spot (15°) Medium (30°) Flood (45°)	stainless steel
LED	6W	810	E A T G				

P. Stand-by: 0 | P. Stand-by in rete: 0 | Int. Elettrica: 230 Vac 50Hz
*LED power **Total flow exiting the appliance @ Tamb 25° - 4000°K ***This product contains an Energy Efficiency Class light source E
Consider a reduction in output flow dell'8% by source LED 3000°K



Sorgente LED sostituibile solo da tecnico abilitato
LED source replaceable only by a qualified technician



Alimentatore sostituibile
Power supply replaceable

Richiedere il manuale di sostituzione ai nostri uffici tecnici

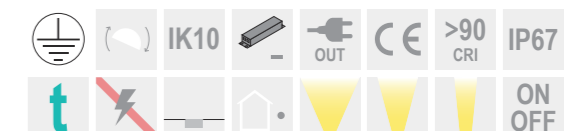
Connectors



Socket-plug



3-way "T" type



On demand:

SPD



For updated technical data or further technical information, consult the website (www.xlitesrl.it)

