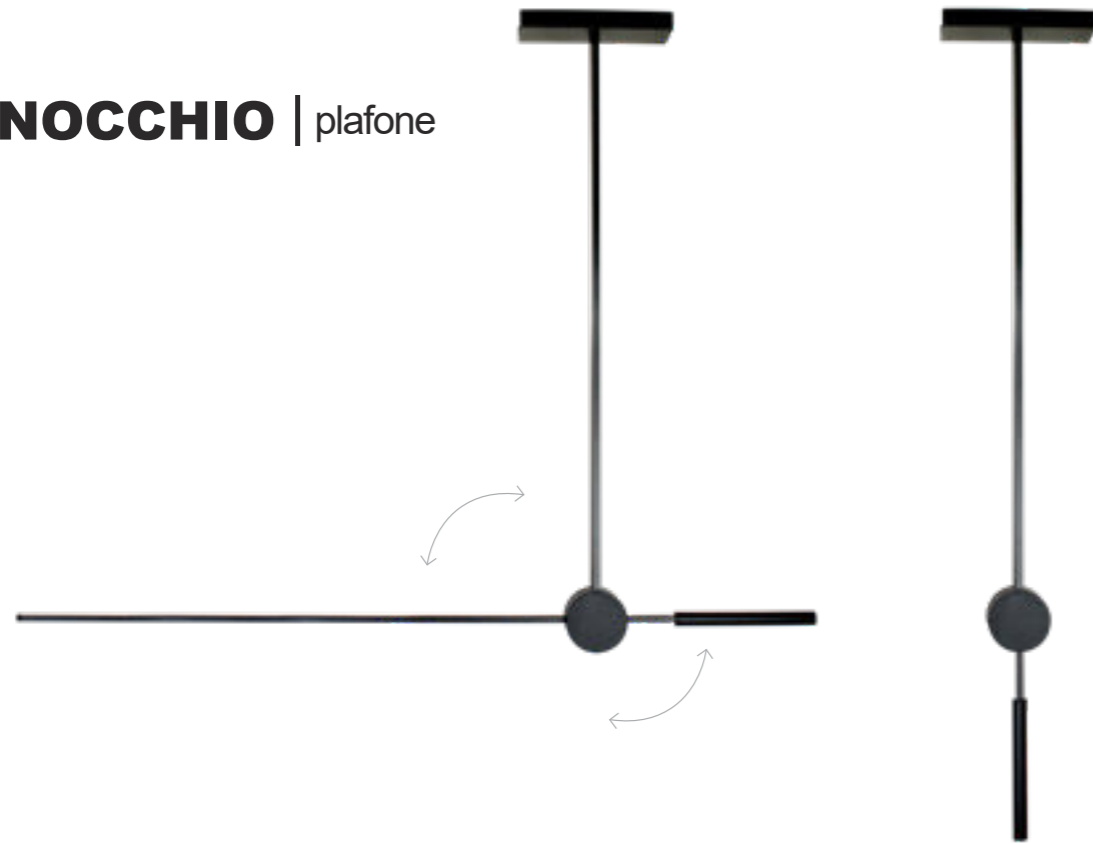


PINOCCHIO

PINOCCHIO | plafone



Adjustable LED fixture for ceiling installation, which tilts, balances, turns and produces a beautiful light on tables and desks. The fixture emits two different light emissions depending on the position in which you decide to direct the arm. When it is in a horizontal position, the emission is linear, suitable for illuminating flat work surfaces. When it is in a vertical position, the emission is punctiform, suitable for illuminating objects and works.

Body in aluminum profile, powder coated, with dimension 15mm and length 1600mm. Passive dissipation system using an internal die-cast aluminum frame. Adjustability of the body from 0° to 90° on the vertical plane, locking of the aiming occurs by means of friction.

Source

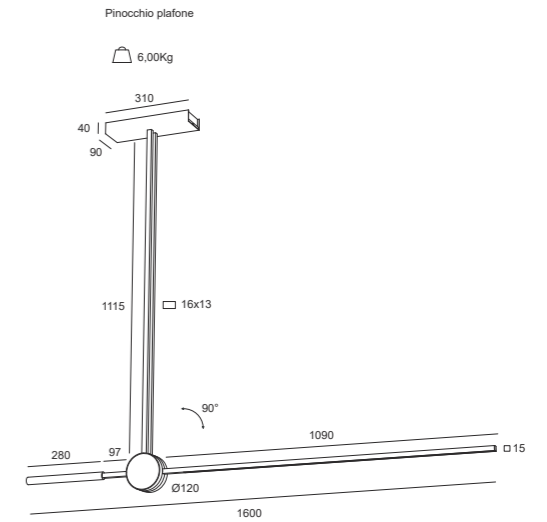
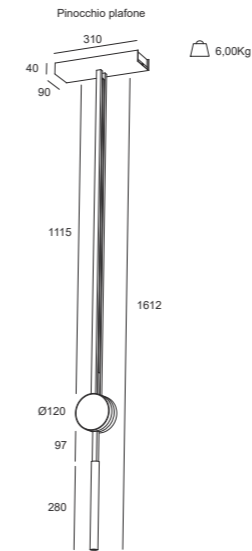
Double light source, LED module specially designed to ensure maximum uniformity and the total absence of punctiform light for linear emission and Chip On Board (COB) LED technology for punctiform emission.

Optics

Rotosymmetric emission (see table alongside) protected by an opal methacrylate screen designed to reduce glare. The luminaire is suitable for installation in workplaces UGR<19 (EN12464-1). Rotosymmetrical optics treated by high vacuum metallization (point emission).

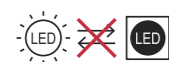
Power supply

Electronic ballast integrated in the body of the fixture, available in the standard versions (on-off). Power supply 220-240Vac 50/60Hz.

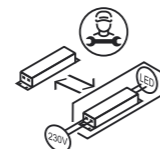


PINOCCHIO plafone							
Sorgente Light source	Watt LED*	Lumen OUT**	Classe Energetica Energy rating***	K	Alimentazione Power supply	Emissione Emission	Colore Colour
LED	5W + 15W	230 + 600		3.000° K 4.000° K	ON-OFF	Wide flood (110°)	black

P. Stand-by: 0 | P. Stand-by in rete: 0 | Int. Elettrica: 230 Vac 50Hz
 *LED power **Total flow exiting the appliance @ Tamb 25° - 4000°K ***This product contains an Energy Efficiency Class light source G
 Consider a reduction in output flow dell'8% by source LED 3000°K



Sorgente LED non sostituibile
Non-replaceable LED source



Alimentatore sostituibile solo da tecnico abilitato
Power supply replaceable only by a qualified technician

Request the replacement manual from our technical offices

