

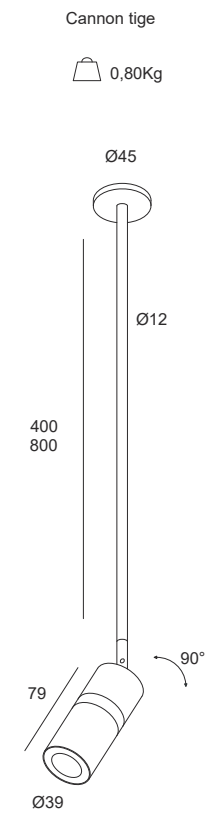


CANNON

ARCHITECT GUIDO CANALI



CANNON TIGE | Ceiling Projector



CANNON TIGE | Ceiling Projector

Watt*	Lumen**	ØDiameter mm	K	Emission
6W	600	39	3000 K 4000 K	Spot (15°) Medium (31°) Flood (55°)

Standby Power: 0 | Mains Standby Power: 0 | Power Int.: DC 350mA 18V
 *LED Power **Total Luminaire Output @ Tamb 25° - 4000°K
 Consider an 8% reduction in output flux for 3000°K LED sources

Colours



Charateristics





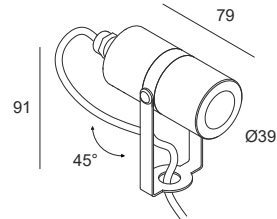


CANNON | Projector



Cannon

0,40 Kg



CANNON | Projector

Watt*	Lumen**	ØDiameter mm	K	Emission
6W	600	39	3000 K 4000 K	Spot (15°) Medium (31°) Flood (55°)

Standby Power: 0 | Mains Standby Power: 0 | Power Int.: DC 350mA 18V
 *LED Power **Total Luminaire Output @Tamb 25° - 4000°K
 Consider an 8% reduction in output flux for 3000°K LED sources

Connectors



Socket-plug

3-way "T" type

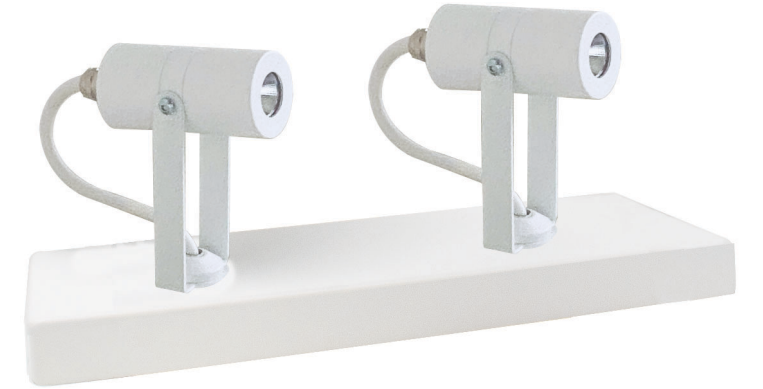
Colours



Charateristics

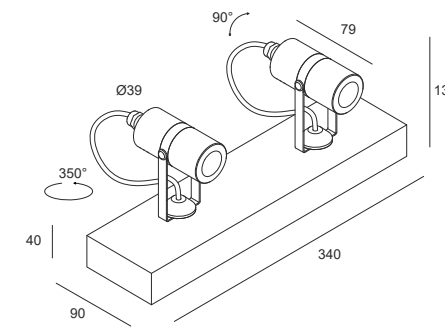


CANNON LINE | applique



Cannon line

2,40 Kg



CANNON LINE | applique

Watt*	Lumen**	ØDiameter mm	K	Emission
6W+6W	1200	39	3000 K 4000 K	Spot (15°) Medium (31°) Flood (55°)

Standby Power: 0 | Mains Standby Power: 0 | Power Int.: DC 350mA 18V
 *LED Power **Total Luminaire Output @Tamb 25° - 4000°K
 Consider an 8% reduction in output flux for 3000°K LED sources

Connectors



IP Connector

Colours



Charateristics





