



TEX FULL RANGE

TEX 2 FULL RANGE | proiettore



Waterproof IP65 LED projector

suitable for ceiling or wall installation using the special brackets supplied, adjustable with graduated protractor, designed for use in indoor and outdoor environments with extreme positive temperatures.

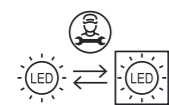
Certified for use from -40 ° C to + 100 ° C in environments with frequent presence of dust and water.

High IK degree of protection, body in anodized extruded aluminum with heat sink function. Frame in press-formed steel sheet painted with epoxy powders after phosphating. Remote controlled electronics specially developed for use in extreme environments, it guarantees immediate ignition and the possibility of continuous restart and shutdown.

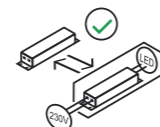
Optical unit in printed silicone resistant to UV rays. Available in an ASYMMETRIC version for environments where an INTENSIVE wall installation is required for corridors or particular and DIFFONDEMENT pointing. Wiring system via IP68 quick-fit connector (info in appendix).

Applications

- Foundries, glassworks, ceramics, internal and external high temperature environments
- Indoor and outdoor environments, dusty or with water.
- In environments with aggressive agents that compromise the use of plastic materials.
- Not suitable for surfaces subject to strong vibrations.
- Equipment suitable for use in the food industry (HACCP / IFS / BRC-Standard).
- For specific applications, contact our technical offices.



Sorgente LED sostituibile solo da tecnico abilitato
LED source replaceable only by a qualified technician



Alimentatore sostituibile
Power supply replaceable

Request the replacement manual from our technical offices

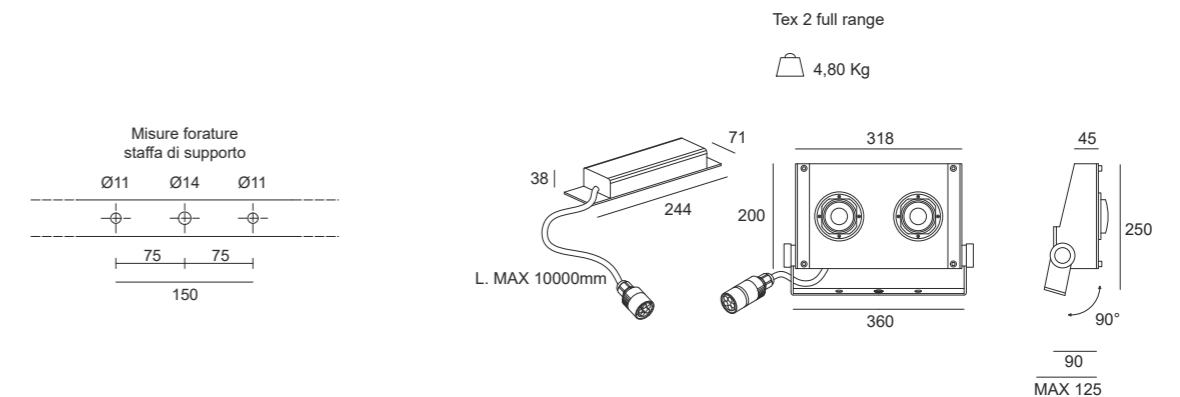
CATALOGO **XLITE 2023** | www.xlitesrl.it

Lighting characteristics

- Symmetrical emission controlled through special injection-molded optics.
- DIFFUSED version for standard height environments
- ASYMMETRIC version for wall installation
- INTENSIVE version for corridors or particular targeting.
- Useful life (L85/B10): 50000 h. (tq+25°C)
- Photobiological safety compliant with risk-free group RG0 unlimited. IEC 62471, IEC/TR 62778.

Mechanical characteristics

- Body in anodized extruded aluminum with heat sink function. Frame in press-formed sheet steel painted with epoxy powders after phosphating. Resistant to UV rays and attacks by other substances.
- IP65 molded silicone optical unit.
- Sealing gasket, in silicone.
- IP68 quick-fit power connector with xDRY® anti-condensation technology resistant up to +125°C.
- Adjustable bracket with graduated goniometer.
- Stainless steel fixing brackets, equipped with special silicone safety devices.
- Power supply resistant up to +80°C, remoted via cable suitable for temperatures up to +180°C of standard length 10000mm.



TEX 2 FULL RANGE | proiettore per temperature da -40°C a +100°C****

Sorgente Light source	Relamping	Lumen LED*	Watt LED**	Lumen OUT***	Classe Energetica Energy rating*****	Ottiche Optic	K	Alimentazione Power supply	Colore Colour
COB LED	200W	14500	100W	11200		CO - Concentrate DI - Diffondente AS1 - Asimmetrica 1 AS2 - Asimmetrica 2	3.000°K 4.000°K	ON-OFF	acciaio inox

P. Stand-by: 0 | P. Stand-by in rete: 0 | Int. Elettrica: 230 Vac 50Hz

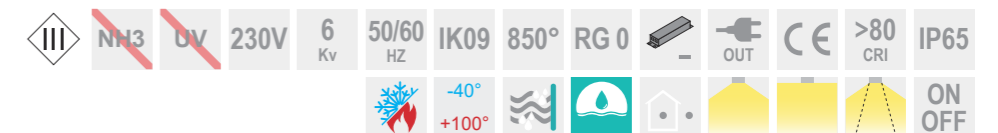
*Lumen nominali LED max a 25° **LED power

***Flusso totale in uscita dall'apparecchio a temperatura di lavoro (Ta 25° - 4000°K) | (3000°K - 8% - CRI90 - 10%)

Tutti i dati sono riferiti ad una temperatura ambientale di +25°C. Per conoscere i dati a differenti temperature chiediamo di contattare il nostro ufficio tecnico.

****Temperatura massima sopportata dal corpo lampada.

*****This product contains an Energy Efficiency Class light source F



For applications in environments where there may be disturbances on the electrical network and/or for use at low/high temperatures, it is necessary to provide protection against network overvoltages (Surge Protection Device) on the power supply line and the elimination of any causes of under-voltages. The warranty and assistance conditions are to be considered valid only if the lighting fixtures are installed in a workmanlike manner.

For information regarding sizing, distribution of lighting fixtures, the maximum number of products that can be powered simultaneously and chemical resistance of stresses, contact our technical offices.

For information relating to the minimum/maximum number of lighting fixtures that can be installed under each switch, where not expressly indicated in our installation manuals, contact our technical offices. For correct assembly of the appliance, consult the user manual. For updated technical data or further technical information, consult the website (www.xlitesrl.it)

