



TEX BRIVIDO ESTREMO

TEX BRIVIDO ESTREMO | proiettore

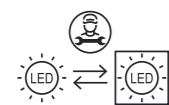


Waterproof IP65 LED projector

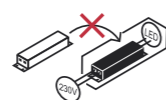
suitable for ceiling or wall installation using the special brackets supplied adjustable with graduated goniometer, designed for use in cold rooms, refrigerated warehouses, blast chillers and outdoor environments with extreme negative temperatures. Certified for use from -40°C to +25°C in environments with frequent presence of dust, water and ice. High degree of IK protection, anodised extruded aluminum body with heat sink function. Frame in press-bent sheet steel painted with epoxy powders after phosphating. Electronics specifically developed for use in cold environments, it guarantees immediate switching on and the possibility of continuous switching on and off. Optical unit in UV-resistant molded silicone. Available in an ASYMMETRICAL version for environments where INTENSIVE wall installation is required for corridors or particular and DIFFUSING targets. Wiring system via IP68 quick-fit connector (info in appendix).

Applications

- Cold rooms, refrigerated warehouses, blast chillers, low temperature outdoor environments
- Indoor and outdoor environments, dusty or with water or ice formation.
- In environments with aggressive agents that compromise the use of plastic materials.
- Not suitable for surfaces subject to strong vibrations.
- Equipment suitable for use in the food industry (HACCP / IFS / BRC-Standard).
- For specific applications, contact our technical offices.



Sorgente LED sostituibile solo da tecnico abilitato
LED source replaceable only by a qualified technician



Alimentatore non sostituibile
Non-replaceable power supply

Request the replacement manual from our technical offices

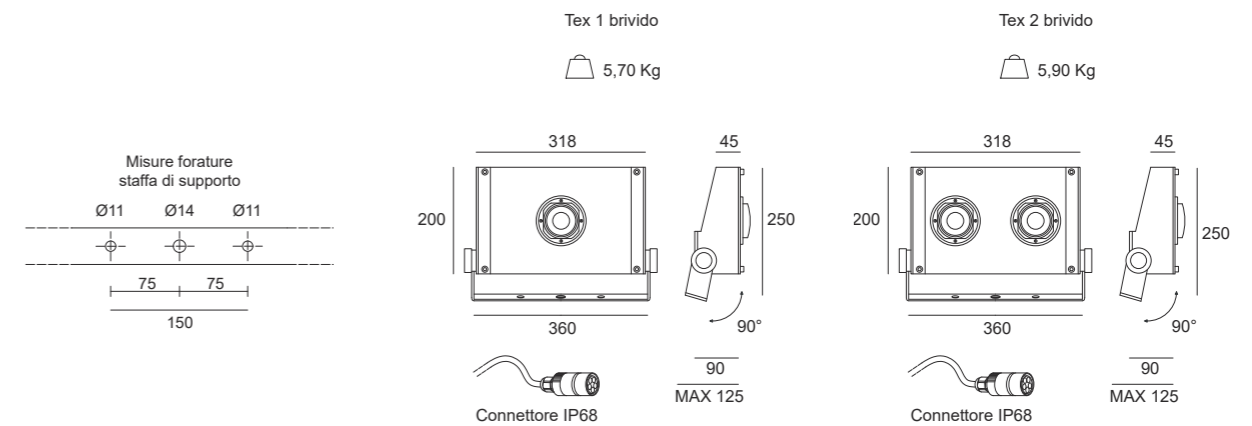
CATALOGO **XLITE 2023** | www.xlitesrl.it

Lighting characteristics

- Symmetrical emission controlled through special injection-molded optics.
- WIDE FLOOD version for standard height environments
- ASYMMETRIC version for wall installation
- SPOT version for corridors or particular targeting.
- Useful life (L85/B10): 50000 h. (tq+25°C)
- Photobiological safety compliant with risk-free group RG0 unlimited. IEC 62471, IEC/TR 62778.

Mechanical characteristics

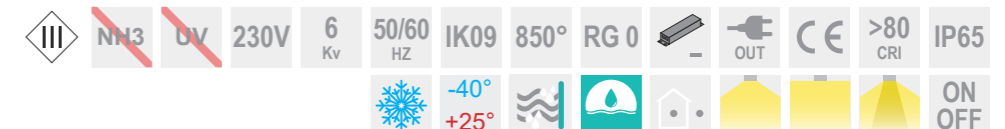
- Body in anodized extruded aluminum with heat sink function. Frame in press-formed sheet steel painted with epoxy powders after phosphating. Resistant to UV rays and attacks by other substances (for further information contact our technical offices).
- IP65 molded silicone optical unit.
- Sealing gasket, in silicone.
- IP68 quick-fit power connector with xDRY® anti-condensation technology.
- Adjustable bracket with graduated goniometer.
- Stainless steel fixing brackets, equipped with special silicone safety devices.



TEX BRIVIDO ESTREMO - proiettore per temperature da -40°C a +25°C

Versione Model	L x h (mm) L x h (mm)	Potenza Potenza	Efficienza Efficienza	Flusso nominale Nominal flux	Classe Energetica Energy rating*	K° standard Standard K°
1 COB	318 x 200	125W	106 lm/W	13260lm	E A+G	3.000°K 4.000°K
2 COB		210W	115 lm/W	24250lm		

P. Stand-by: 0 | P. Stand-by in rete: 0 | Int. Elettrica: 230 Vac 50Hz
Tutti i dati sono riferiti ad una temperatura ambientale di +25°C. Per conoscere i dati a differenti temperature chiediamo di contattare il nostro ufficio tecnico.
*This product contains an Energy Efficiency Class light source E



For applications in environments where there may be disturbances on the electrical network and/or for use at low/high temperatures, it is necessary to provide protection against network overvoltages (Surge Protection Device) on the power supply line and the elimination of any causes of under-voltages. The warranty and assistance conditions are to be considered valid only if the lighting fixtures are installed in a workmanlike manner.

For information regarding sizing, distribution of lighting fixtures, the maximum number of products that can be powered simultaneously and chemical resistance of stresses, contact our technical offices.

For information relating to the minimum/maximum number of lighting fixtures that can be installed under each switch, where not expressly indicated in our installation manuals, contact our technical offices. For correct assembly of the appliance, consult the user manual.
For updated technical data or further technical information, consult the website (www.xlitesrl.it)