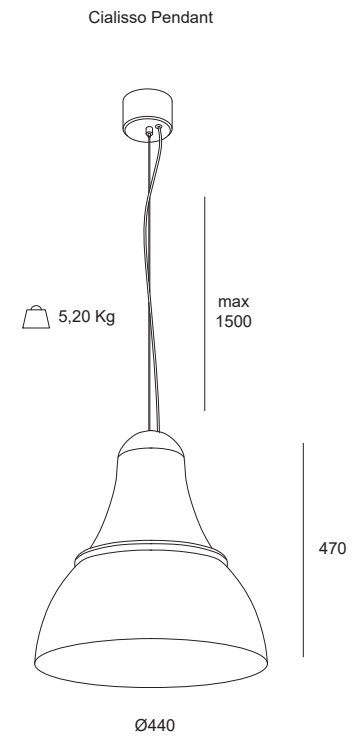




CIALISSO

CIALISSO | Pendant



CIALISSO | Pendant

Watt*	Lumen**	øDiameter mm	K	Emission
16W	2000	440	3000 K 4000 K	Flood (70°)
23W	2400			
30W	3170			

Standby Power: 0 | Mains Standby Power: 0 | Power Supply: 230 Vac 50Hz
 *LED Power **Total Luminaire Output @ Tamb 25° - 4000°K
 Consider an 8% reduction in output flux for 3000°K LED sources

Colours



Charateristics



On request:

